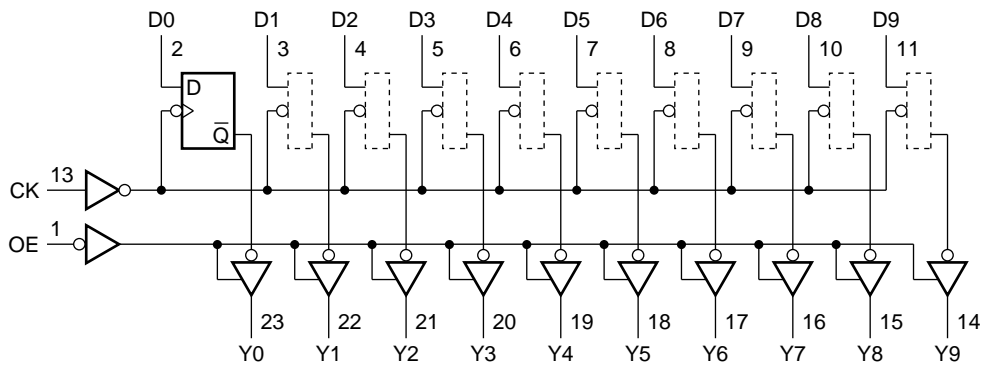
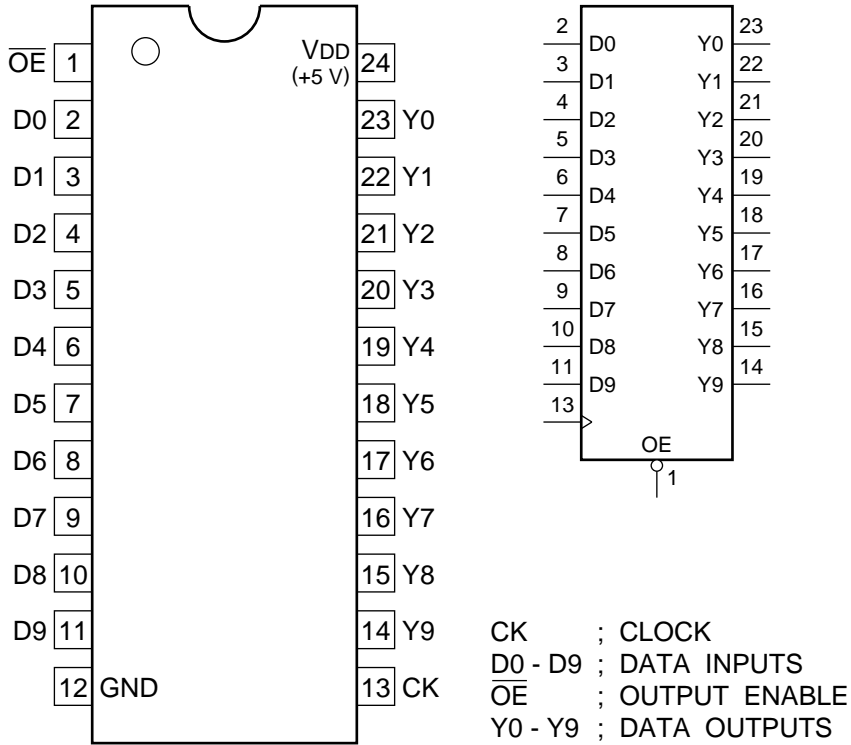

C-MOS BUS INTERFACE LATCHES

-TOP VIEW-



INPUTS			OUT	FUNC-TION
OE	D	CK	Y	
1	0	\uparrow	HI-Z	HI-Z
1	1	\uparrow	HI-Z	
0	0	\uparrow	0	LOAD
0	1	\uparrow	1	

0 ; LOW LEVEL
 1 ; HIGH LEVEL
 HI-Z ; HIGH IMPEDANCE